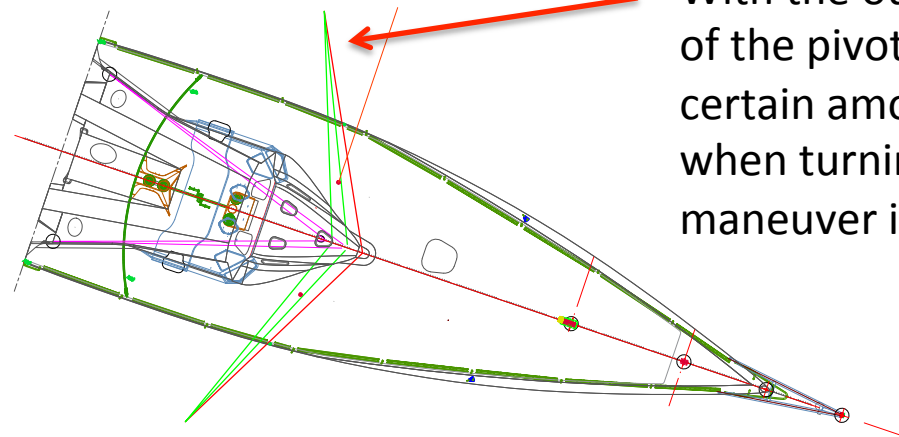
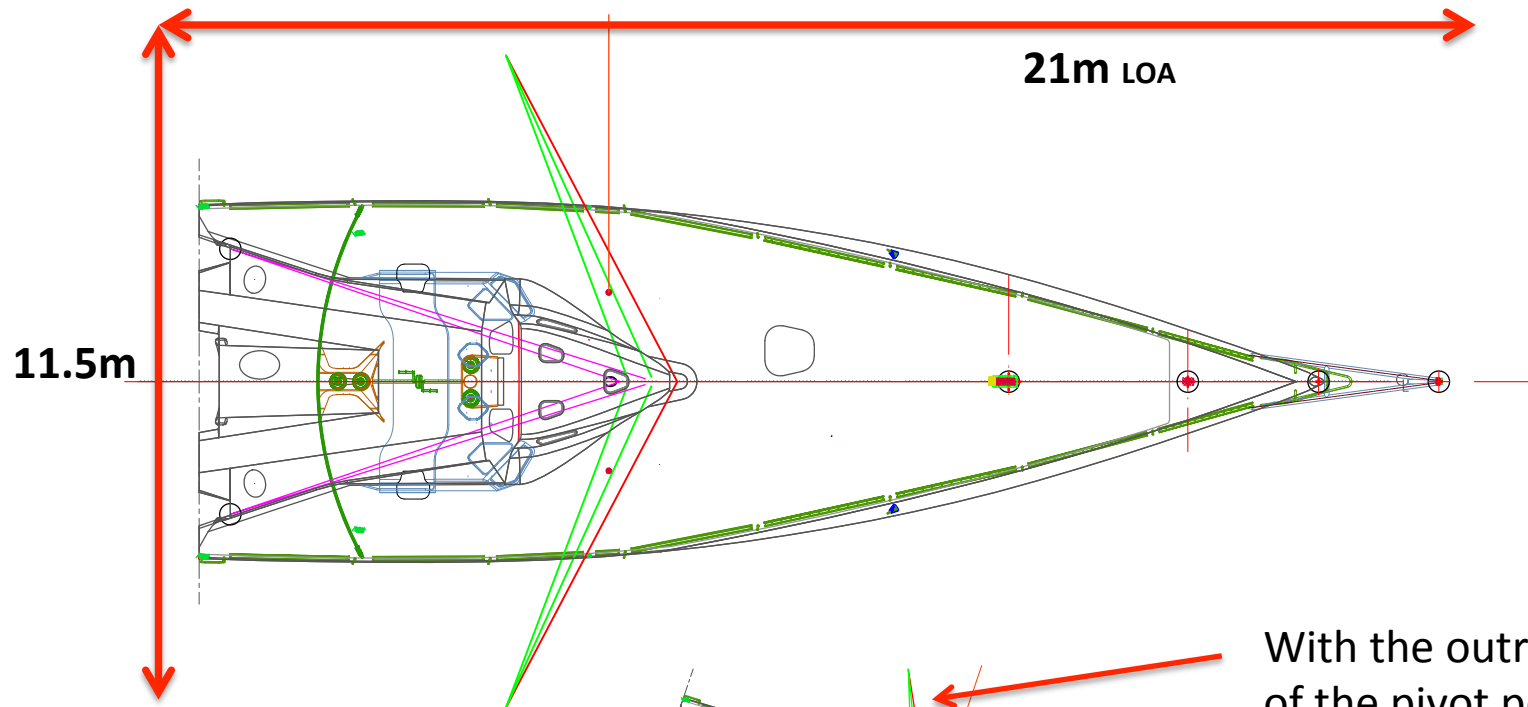


# Sailing Yacht No Way Back (Metric)



With the outriggers being aft of the pivot point there is a certain amount of 'swing' when turning. Not easy to maneuver in tight spaces